

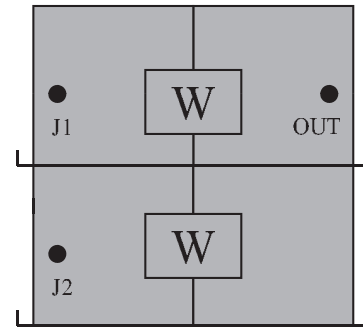
MANIFOLD COMBINER

210 VHF double cavity

Combiners allow several radio channels to operate at one site using a common antenna. The MCP 210 V manifold combiner uses an alternative method for combining up to 4 channels in the VHF range.

The number of channels can be increased or decreased upon request.

A double bandpass filter with adjustable window coupling is used for each channel. Each channel is allocated in a single 5 unit 19" cabinet.



MCP210-V/2-2

Electrical Specifications

Frequency band:	118 - 144 MHz
Impedance:	50 Ω
Input Power	200W
Insertion loss:	Adjustable 1.5 ÷ 4 dB

Mechanical Specifications

Connector Type:	N Female
Dimensions:	19" rack, 5HU, depth 728 mm
Operating temp.:	-10°C to +55°C
Tuning method:	Rotary knob, telescopic movement

Combiners	Channels	Cabinet 5HU	Total height HU	Selectivity dB ±500 kHz at 127.5 MHz
MCP210-V/2-2	2	2	10	≥ 32
MCP210-V/3-3	3	3	15	≥ 32
MCP210-V/4-4	4	4	20	≥ 32

TELMEC Soc. Coop a r.l. Via A. Meucci, 8 – 50015 Grassina, Florence, ITALY



Tel. +39 055 644071/644087 Fax +39 055 641485 E-mail: info@telmec.net - www.telmec.net

We reserve the right to modify these data without any notice