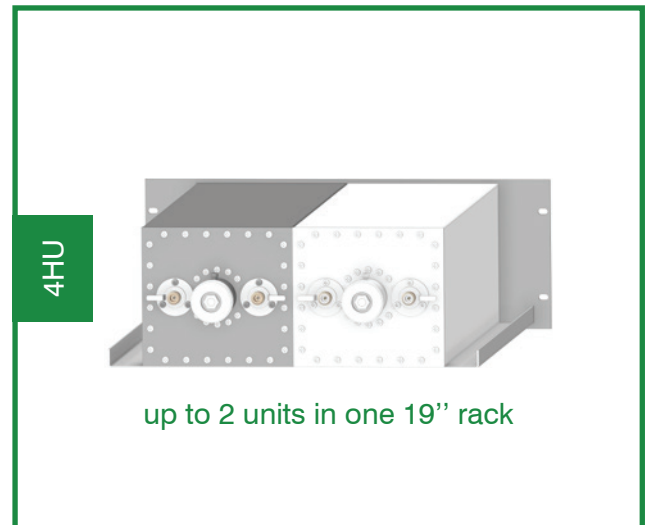


Band Pass Filters VHF

180 rectangular cavity

Single, up to 2 channels, or double cavity band pass filters in the VHF range can be allocated in one 4 unit 19" cabinet. Frequency tuning and insertion loss can be regulated through adjustable loops and mechanical knobs.



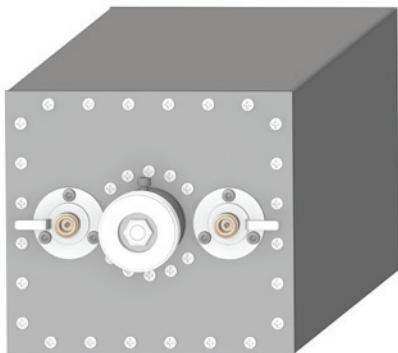
Electrical Specifications

Frequency band:	118 - 156 MHz
Impedance:	50 Ω
Max Power:	200W CW
Insertion loss:	Adjustable, rotating loops

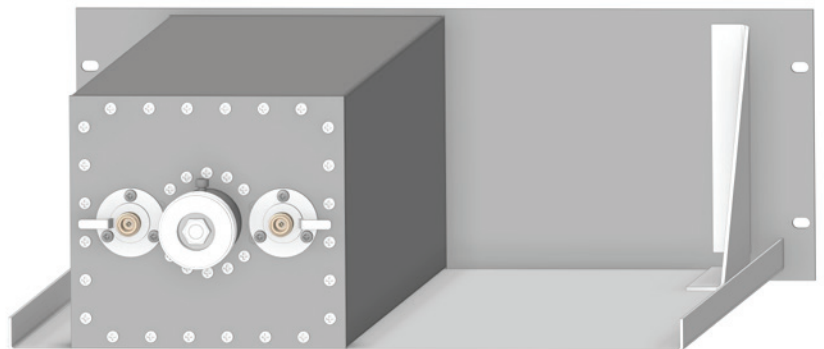
Mechanical Specifications

Connector Type:	N Female
Dimensions:	19" rack, 4HU, depth 670 mm
Operating temp.:	-10°C to +55°C
Tuning method:	Rotary knobs, telescopic movement

Band Pass Filters	Channels	Cabinet 4HU	Attenuation
FPB180-V/1 F02VR180M10Sxxxx	1	1	13dB \pm 500 kHz 1dB I.L. at 127.5 MHz
FPB180-V/1-1 (double cavity) F02VR180M1CDxxxx	1	1	28dB \pm 500 kHz 2dB I.L. at 127.5 MHz
FPB180-V/1D F02VR180M20Sxxxx	2	1	13dB \pm 500 kHz 1dB I.L. at 127.5 MHz



AST-1023
F05VR180M10Sxxxx



FPB180-V/1