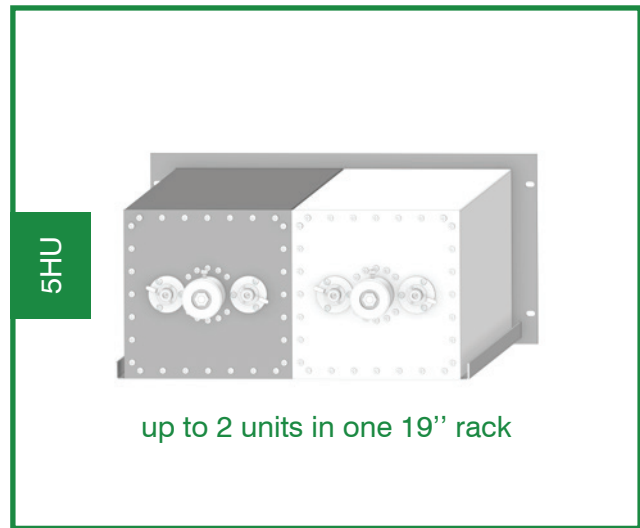


# Band Pass Filters VHF

## 210 square cavity

Single, up to 2 channels, or double cavity band pass filters up to 2 channels in the VHF range can be allocated in one 5 unit 19" cabinet. Frequency tuning and insertion loss can be regulated through adjustable loops and mechanical knobs.



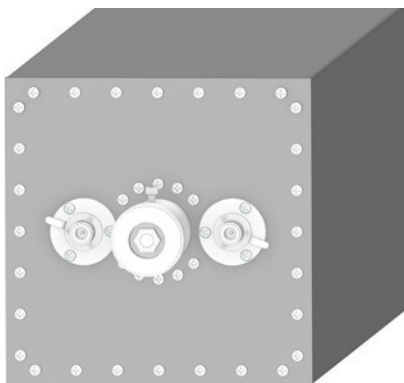
### Electrical Specifications

Frequency band:	118 - 156 MHz
Impedance:	50 $\Omega$
Max Power:	200W CW
Insertion loss:	Adjustable, rotating loops

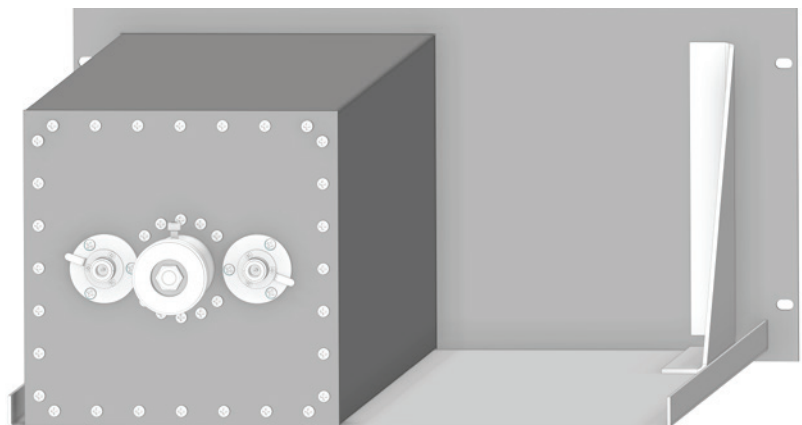
### Mechanical Specifications

Connector Type:	N Female
Dimensions:	19" rack, 5HU, depth 670 mm
Operating temp.:	-10°C to +55°C
Tuning method:	Rotary knob, telescopic movement

Band Pass Filters	Channels	Cabinet 5HU	Attenuation
FPB210-V/1 F02VS210M10Sxxxx	1	1	15dB $\pm$ 500 kHz 1dB I.L. at 127.5 MHz
FPB210-V/1-1 (double cavity) F02VS210M1CDxxxx	1	1	32dB $\pm$ 500 kHz 2dB I.L. at 127.5 MHz
FPB210-V/1D F02VS210M20Sxxxx	2	1	15dB $\pm$ 500 kHz 1dB I.L. at 127.5 MHz



**AST-0610**  
F05VS210M10SXXXX



**FPB210-V/1**