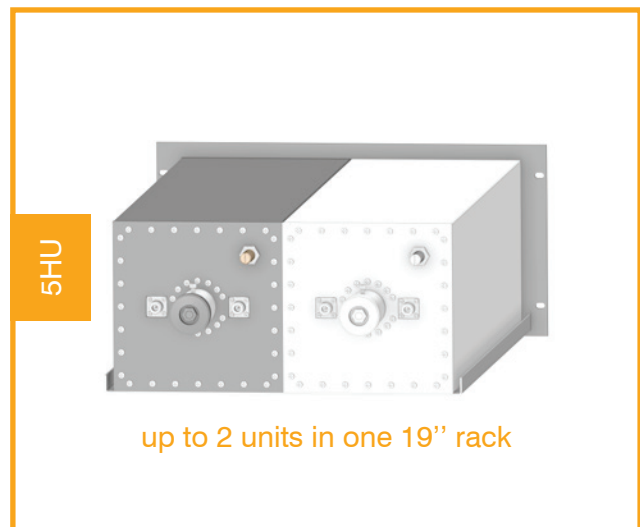


Band Reject Filter VHF

210 square cavity

One or two band reject filters in the VHF range can be allocated in one 5 unit 19" cabinet. Frequency tuning and attenuation can be regulated through adjustable mechanical knobs.



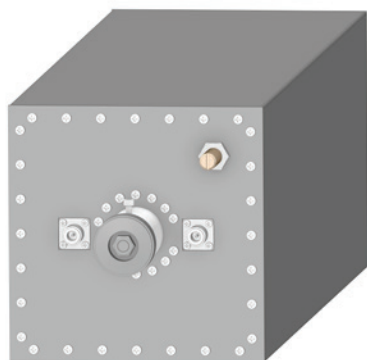
Electrical Specifications

Frequency band:	118 - 144 MHz
Impedance:	50 Ω
Max Power:	100W CW
Insertion loss:	≤ 1.5 dB

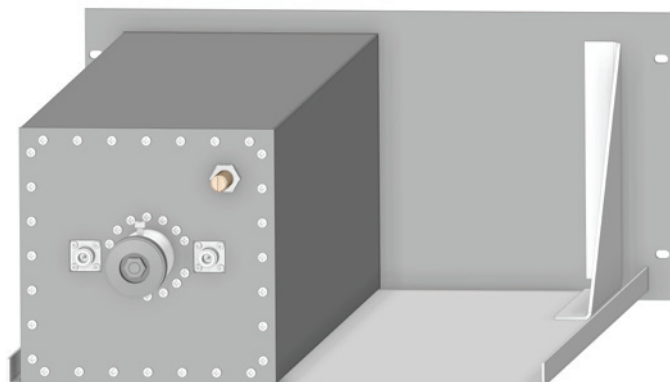
Mechanical Specifications

Connector Type:	N Female
Dimensions:	19" rack, 5HU, depth 670 mm
Operating temp.:	-10°C to +55°C
Tuning method:	Rotary knob, telescopic movement

Band Reject Filters	Channels	Cabinet 5HU	Attenuation (each single cavity)
FPB210-V/1BR F03VS210M10Sxxxx	1	1	> 22 dB, @ +200kHz or -200kHz notch > 40 dB, @ +500kHz or -500kHz notch
FPB210-V/1-1BR F03VS210M20Sxxxx	2	1	> 22 dB, @ +200kHz or -200kHz notch > 40 dB, @ +500kHz or -500kHz notch



AST-0610BR
F05VS210M10Sxxxx



FPB210-V/1BR