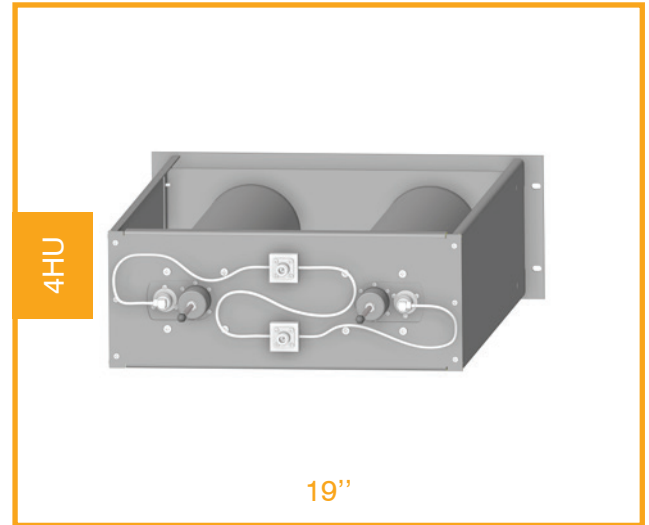


Notch Filters VHF

100 round cavity - high pass

The Notch filter unit is composed of two round 100 cavities in a 4HU 19" cabinet. Frequency tuning and attenuation can be regulated through adjustable mechanical knobs.



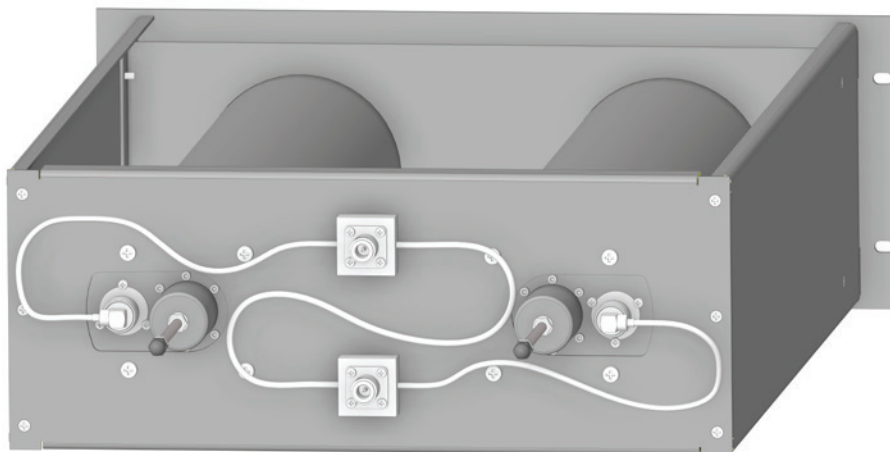
Electrical Specifications

Frequency band:	118 - 137 MHz
Impedance:	50 Ω
Max Power:	100W CW
Insertion loss:	From 1 to 3 dB

Mechanical Specifications

Connector Type:	N Female
Dimensions:	19" rack, 4HU, depth 620 mm
Operating temp.:	-10°C to +55°C
Tuning method:	Rotary knob, tuning rod

VHF Notch Filter	Channels	Cabinet 4HU	Attenuation
MCP100-V/2TH F04SC120M1CSxxxx	1	1	> 35 dB, @ -150kHz or more notch



MCP100-V/2TH